

Combio-868 /-915

e l e r o

Combio-868 JA /-915 28500.0006

Combio-868 RM /-915 28520.0006

Combio-868 RM/RevoLine /-915 28525.0006

Combio-868 JA Pulse /-915 28505.0006



EN Operating instructions (translation)

Please take care of the operating instructions!

Safety tips	3
General	4
Use in accordance with the regulations	4
Optimal use of the radio signal	5
Mounting options	6
Combio-868 JA /-915 for venetian blind drives	7
Combio-868 RM /-915 for tubular motors	8
Connection and installation	9
Combio-868 JA /-915 for venetian blind drives	9
The Combio-868 RM /-915 for elero tubular motors with plug-in cable (limit switch drive)	10
Combio-868 RM /-915 for tubular motors with plug-in cable (ACS-E electronic drive)	11
Combio-868 RM /-915 for tubular motors with fixed cable (limit switch drive)	12
Combio-868 RM /-915 for elero tubular motors with fixed cable (CSM-E electronic drive) for textile sun protection	13
Technical data	14
Tips for finding faults	15



Warning!



Important safety indications! Observe the following instructions.

Danger of injury due to electric shocks.
Connections to the mains supply **must** be carried out by authorized, specialized personnel.

- Check the installations regularly for wear and tear or damage.
- The regulations stipulated by the local power supply company should be observed during connection work, as well as the regulations for wet and damp areas in accordance with VDE 0100.
- Observe country-specific regulations.
- Only use unaltered **elero** original parts.
- Ensure that nobody is within the vicinity of the installation until it is brought to a standstill.
- When carrying out work on the installation (e.g. maintenance), always disconnect the installation from the mains supply.
- Keep children away from controls.
- After installation, the control unit must not be exposed to rain.

General information

The Combio-868 /-915 radio receiver allows the extension of alternating current drives to a radio drive.

Use in accordance with the regulations

The Combio-868 JA/RM/RevoLine /-915 can **only** be used for controlling roller shutters and sun protection systems such as venetian blinds.

- Please observe that radio equipment **cannot** be operated in areas with a high interference risk level (e.g. hospitals, airports).
- The remote control is only allowed for devices and installations in which a malfunction in the hand-held transmitter or the receiver does not represent a threat to persons, animals or things or for installations in which this risk is excluded by other safety systems.
- The user does not have any protection from interferences from other telecommunication and terminal equipment (e.g. including radio equipment which is operated in accordance with the corresponding regulations in the same frequency range).
- Connect radio receivers only to the devices and installations authorized by the manufacturer.

Optimal use of the radio signal

- Do not bend the antenna.
- Do not shorten or extend the antenna.
- If reception is poor, adjust the antenna.
- Install the antenna so that it is as exposed as possible.
- Antenna is not to rest on metal.
- Using a number of receivers may cause interference.

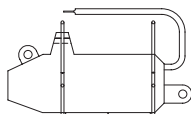
Note:

Radio installations which transmit with the same frequency can cause reception interferences.

Please observe that the radio signal range is restricted by the legislator and structural measures.

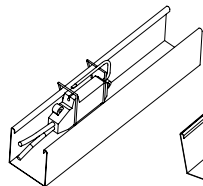
Mounting options

Combio-868 JA /-915

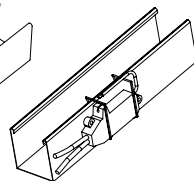


Combio
with clip

1. Put the Combio-868 /-915 into the mounting clamp.



Combio with
clip inner

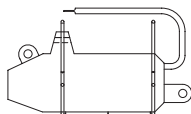


Combio with
clip outer

2. Fix the Combio-868 JA /-915 + clamp to the inside or outside of the channel.

Mounting options

Combio-868 RM /-915



1. Stick the enclosed adhesive strip onto the Combio-868 RM /-915.
2. Fix the Combio at an appropriate position.

Combio-868 JA /-915 for venetian blind drives

The Combio-868 JA /-915 is suitable for the use with venetian blind drives.

In order to carry out an exact slat tilting, the Combio-868 JA /-915 has a dead-man operating mode. If the button on the hand-held transmitter is pressed until the LED goes out, the receiver activates the self-locking operating mode.

The handheld transmitter can be used to save an intermediate position and tilting position for the slats (→ refer to the transmitter instructions).

Combio-868 RM /-915 for tubular motors

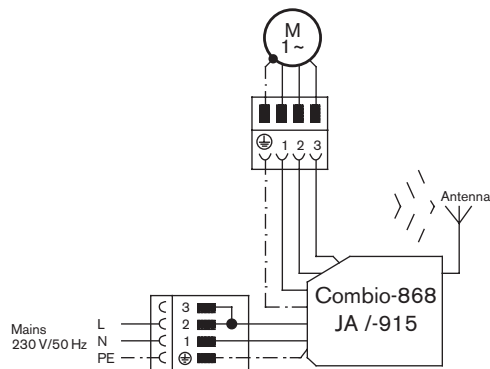
The Combio-868 /-915 is suitable for the use with tubular motors for roller shutters and sun protection systems. If a command is sent, the receiver immediately activates the self-locking operating mode.

The hand-held transmitter can be used to program an intermediate position.

For sun protection systems it is possible to additionally program a fabric tautening and a ventilation position for roller shutters (→ refer to the transmitter instructions).

Combio-868 JA /-915 for venetian blind drives

1. Put the drive into operation with the installation cable and set the upper and lower limit switch.
2. Move the hangings with the installation cable to an intermediate position.
3. Switch off the mains voltage.
4. Unplug the installation cable.
5. Connect the female Hirschmann-plug of the radio receiver with the drive plug.
6. Connect the Hirschmann-plug of the radio receiver with the female plug of the mains cable.

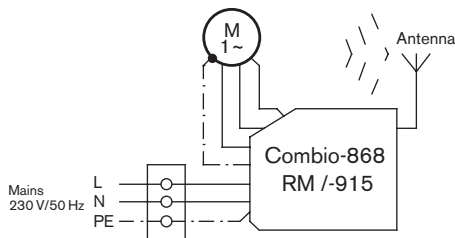


7. Fix the radio receiver.
8. Switch the mains voltage on again.
9. Programme the transmitter (→ refer to the transmitter instructions).

Connection and installation

The Combio-868 RM /-915 for elero tubular motors with plug-in cable (limit switch drive)

1. Switch off the mains voltage.
2. Press the locking mechanism of the drive plug towards the cable with a screwdriver.
3. Pull out the plug.
4. Plug the motor cable of the radio receiver into the drive.
5. Connect the mains cable of the Combio-868 RM /-915 correctly with the mains voltage.



Pin designation	Wire colour 230 V
L	Brown
N	Blue
PE	Green/yellow

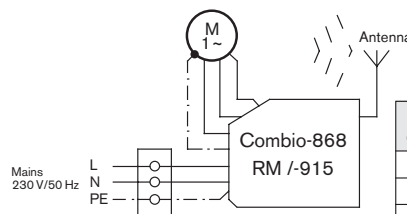
Note: Do not shorten or lengthen the antenna.

6. Fasten the radio receiver.
7. Switch the mains voltage on again.
8. Programme the transmitter (→ refer to the transmitter instructions).
9. Mount the hangings and set the limit switch.

Connection and installation

Combio-868 RM /-915 for tubular motors with plug-in cable (ACS-E electronic drive)

1. Switch off the mains voltage.
2. Press the locking mechanism of the drive plug towards the cable with a screwdriver.
3. Pull out the plug.
4. Plug the motor cable of the radio receiver into the drive.
5. Connect the mains cable of the Combio-868 RM /-915 correctly with the mains voltage.



Pin designation	Wire colour 230 V
L	Brown
N	Blue
PE	Green/yellow

6. Fasten the radio receiver.
7. Switch the mains voltage on again.
8. Programme the transmitter (→ refer to the transmitter instructions).

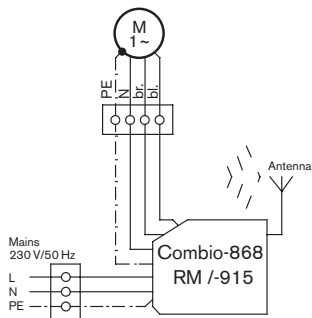
Note: Rotate the winding shaft manually in the corresponding direction.

9. Mount the hangings and operate the drive in the self-programming mode.

Connection and installation

Combio-868 RM /-915 for tubular motors with fixed cable (limit switch drive)

1. Switch off the mains voltage.
2. Cut off the plug of the radio receiver.
3. Prepare the cable for connection (remove cable jacket and strip).
4. Connect the motor cable of the drive and the cable of the Combio-868 RM /-915 correctly (connect the same colours).
5. Connect the mains cable of the Combio-868 RM /-915 correctly with the mains voltage.



Pin designation	Wire colour 230 V
∇/Δ	Brown
Δ/∇	Black
N	Blue
PE	Green/yellow

Pin designation	Wire colour 230 V
L	Brown
N	Blue
PE	Green/yellow

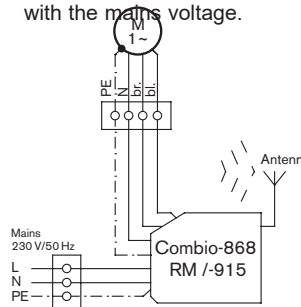
6. Fasten the radio receiver.
7. Switch the mains voltage on again.
8. Programme the transmitter (→ refer to the transmitter instructions).
9. Mount the hangings and set the limit switch, provided that the limit switches have not already been set using the installation cable.

Connection and installation

Combio-868 RM /-915 for elero tubular motors with fixed cable (CSM-E electronic drive) for textile sun protection.

Note: CSM-E drives must not be connected using the connector located on the Combio-868 RM /-915.

1. Put the drive into operation with the installation cable (programme the end positions).
2. Move the hangings with the installation cable to an intermediate position.
3. **Switch off the mains voltage.**
4. Disconnect the installation cable.
5. Cut off the plug of the radio receiver.
6. Prepare the cable for connection (remove cable jacket and strip).
7. Connect the motor cable of the drive and the cable of the Combio-868 RM /-915 correctly (connect the same colours).
8. Connect the mains cable of the Combio-868 RM /-915 correctly with the mains voltage.



Pin designation	Wire colour 230 V
∇/Δ	Brown
Δ/∇	Black
N	Blue
PE	Green/yellow

Pin designation	Wire colour 230 V
L	Brown
N	Blue
PE	Green/yellow

10. Fasten the radio receiver.
11. Switch the mains voltage on again.
12. Programme the transmitter (→ refer to the transmitter instructions).

Technical data

	Combio-868 JA /-915 (venetian blind drives)	Combio-868 RM /-915 (tubular motors)
Nominal voltage	230 V	230 V
Frequency	50 Hz	50 Hz
Max.	450 W	450 W
Protection class	IP56	IP56
Permitted ambient temperature	-20°C bis +70°C	-20°C bis +70°C
Radio frequency	868 / 915 MHz frequency band	868 / 915 MHz frequency band
Mains cable	0,5 m mit Hirschmann plug	3 m
Motor cable	0,25 m mit Hirschmann female plug	0,25 m with plug
Dimensions in mm	L 100 x B 40 x H 15	L 100 x B 40 x H 15
Max. number for transmitters	16	16

Technical data / Tips for finding faults

	Combio-868 RM/RevoLine /-915 (tubular motors)
Nominal voltage	230 V
Frequency	50 Hz
Max.	450 W
Protection class	IP56
Permitted ambient temperature	-20°C bis +70°C
Radio frequency	868 / 915 MHz frequency band
Mains cable	3 m
Motor cable	0,25 m with Mini Plug
Dimensions in mm	L 100 x B 40 x H 15
Max. number of transmitters	16

Troubleshooting

Problem	Cause	Solution
No radio reception	1. Transmitter ist not programmed 2. No mains voltage	1. Program the transmitter 2. Switch on the mains supply again
Bad radio reception	Unsuitable receiver position	Change the location of the receiver or the antenna
Inverted sense of rotation	Sense are programmed incorrectly	Delete transmitter and program correctly

Declaration of conformity

Declaration of conformity

elero hereby declares that Combio-868 /-915 wall transmitter is in compliance with Directive 2014/53/EU. The full text of the EU Declaration of Conformity is available at the following Internet address: www.elero.de/downloads-service/

elero GmbH
Antriebstechnik
Maybachstr. 30
73278 Schlierbach
Fon: +49 7021 9539-0
Fax: +49 7021 9539-212
info@elero.de
www.elero.com