

General

- Application: radio control for textile sun protection
- Power supply: direct current (DC) 12 V from battery
- Limit switch: electronic with soft brake
- Special feature: blockage detection UP or DOWN/CLOSE for blind protection (available after a complete and continuous upward or downward movement).
- End positions can be adjusted using the assembly cable and hand-held transmitter
- Wave frequency: from 63 mm Ø

Standard scope of delivery

- 3 m plug-in connecting cable, assembly instructions

Accessories

- Adapter sets, motor bearing, energy unit, radio transmitter, sensors

Safety instructions



General safety instructions for use including installation of motors for roller shutters, awnings, textile sun protection and Venetian blinds can be found in the "Safety instructions" leaflet supplied with each motor. Please read the general safety instructions and this installation manual carefully as the procedure in this manual is a prerequisite for correct use of the product. Any intervention by unqualified personnel or failure to comply with warnings may lead to personal injury or material damage.

Figures included are for illustration purposes only. The illustrations may differ from your product with respect to minor details and are provided for general information only.

elero GmbH is continually striving to improve all products. As a result, the specifications, features and technology of this product may be changed at any time. The information provided is based on current information at the time of publication. No claims can be derived from the technical data, images and information in this manual.

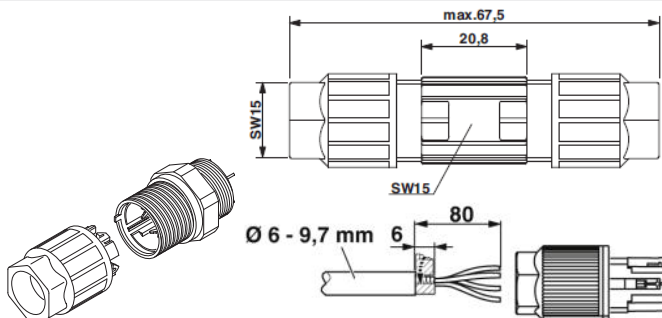
Assembly

- Only connect once the power is turned off.
- The drive is only capable of operation as installed.
- The length of the winding shaft is determined for each specific installation depending on the drive head and motor bearing used at the installation site.

Installation in profile tubes

- Push the drive with mechanical seal ring on the motor head and the appropriate adapter set (drive adapter and crown adaptor, accessories) in the profile tube.
- Secure the counterpart support to prevent axial movement (screw or rivet on the idler).
- Secure the drive axially in the support.
- Attach the blind to the shaft. Do not drill holes near the drive area.

QUICKON power connector (figure)



Connection example (pin assignment)

Function	PIN (QUICKON)	Wire colour
UP ▲ or DOWN/CLOSE ▼	1 (brown)	brown
+ 12 V (positive terminal)	2 (white)	white
DOWN/CLOSE ▼ or UP ▲	3 (blue)	red
- 0 V (negative terminal)	4 (black)	black

QUICKON power connector

see energy unit (138178002) pin assignment assembly instructions

- Cut the connection cable to the appropriate length
- Connect the connection plug (component of the energy unit) to the connection cable
- Insert the plug into the energy unit

Commissioning

- Only during initial commissioning: the blind travels up and down briefly to signal that it is in programming mode. The transmitter can be programmed.
- Each movement that is interrupted by a short STOP places the drive in setting mode.

Programming transmitters / Deleting transmitters

Requirements:

- Drive is in radio mode.
- The end positions must be programmed
- If the end positions have not been programmed, release the blind from the shaft.

Programming the first transmitter

1. Disconnect the plug to the energy unit. Wait approx. 20 s for the integrated condenser to discharge. Re-insert the plug. After this voltage break, the drive will be in programming mode for 5 minutes.
2. Press the programming button **P** on the transmitter to be programmed for 1 second. The drive will travel up and down (programming mode for the receiver, travel movement for 2 minutes).
The transmitter changes into unidirectional radio operation.
3. Immediately press the **UP** button (max. 1 second) on the transmitter to be programmed after the start of upward travel.
4. Immediately press the **DOWN/CLOSE** button (max. 1 second) on the transmitter to be programmed after the start of downward travel.

The drive stops (programming mode ends).

The transmitter is now programmed.

Programming will have to be repeated if the blind does not stop.

Programming additional transmitters

A maximum of 16 transmitters may be programmed.

2 alternative procedures:

First alternative:

Repeat the actions used in the "Programming the first transmitter" with the new transmitter to be programmed.

Second alternative:

1. On the transmitter that has already been programmed, press the 3 buttons **UP** and **DOWN/CLOSE** and **P** for at least 3 seconds. The drive will be in programming mode for 5 minutes and performs the travel movements.
2. Press the **P** button on the transmitter to be programmed, so that it changes into unidirectional radio operation.
The drive will perform additional travel movements.
3. as in "Programming the first transmitter".
4. "Programming the first transmitter"
The drive stops (programming mode ends).
The transmitter is now programmed.

Deleting the transmitter

See the elero operating instructions for the transmitter concerned.

Setting the end positions

Requirement:

- The transmitter must be programmed.
- Interrupting and restoring the power supply:
- The drive remains in programming mode or commissioning mode for 5 minutes.
- The end positions may be adjusted, deleted and then changed.

Adjusting the end positions (4 variations)

	Top	Bottom
A	Freely adjustable	Freely adjustable
B	To stop	Freely adjustable
C	To stop	To stop
D	Freely adjustable	To stop

Variation A: Freely adjustable top end position, Freely adjustable bottom end position

- Starting from a central position of the blind, press the **UP ▲** button with a programmed transmitter until the blind has reached the desired top end position.
The drive begins to travel, briefly stops and travels further (for as long as the **UP ▲** button remains pressed).
Corrections are possible using the **▲** and **▼** buttons.
- Press the **DOWN/CLOSED ▼** button until the drive stops automatically.
The upper end position has been set.
- Press the **DOWN/CLOSED ▼** button again until the blind has reached the desired end position.
The drive begins to travel, briefly stops and travels further (for as long as the **DOWN/CLOSED ▼** remains pressed).
Corrections are possible using the **▲** and **▼** buttons.
- Press the **UP ▲** button until the drive stops automatically.
The lower end position has been set.

Adjustment of the Variation A end position is complete.

Variation B: Top end position to the stop, Freely adjustable bottom end position

- Starting from a central position of the blind, press the **UP ▲** button with a programmed transmitter until the blind has reached the top end position (travels to the top stop).
The drive begins to travel, briefly stops and travels further (for as long as the **UP ▲** button remains pressed).
The drive switches off automatically when the upper limit stop is reached.
Activating the top release function (optional):
While pressing and holding the **UP ▲** button, press the **DOWN/CLOSED ▼** button (simultaneously) until the blind stops.
The top release function is activated.
- Press the **DOWN/CLOSED ▼** button until the drive stops automatically.
The upper end position has been set.
- Press the **DOWN/CLOSED ▼** button again until the blind has reached the desired end position.
The drive begins to travel, briefly stops and travels further (for as long as the button remains pressed).
Corrections are possible using the **▲** and **▼** buttons.
- Press the **UP ▲** button until the drive stops automatically.

Adjustment of the Variation B end position is complete.

Variation C: Top end position to the stop, Bottom end position to the stop

- Starting from a central position of the blind, press the **UP ▲** button with a programmed transmitter until the blind has reached the top end position (travels to the top stop).
The drive begins to travel, briefly stops and travels further (for as long as the **UP ▲** button remains pressed).
The drive switches off automatically when the upper limit stop is reached.
Activating the top release function (optional):
While pressing and holding the **UP ▲** button, press the **DOWN/CLOSED ▼** button (simultaneously) until the blind stops.
The top release function is activated.
- Press the **DOWN/CLOSED ▼** button until the drive stops automatically.
The upper end position has been set.
- Press the **DOWN/CLOSED ▼** button again until the blind has reached the desired end position (travels to the lower stop).
The drive begins to travel, briefly stops and travels further (for as long as the **DOWN/CLOSED ▼** remains pressed).
The drive switches off automatically when the lower limit stop is reached.
Activating the lower release function (optional):
While pressing and holding the **DOWN/CLOSED ▼** button, press the **UP ▲** button (simultaneously) until the blind stops.
The lower release function is activated.
- Press the **UP ▲** button until the drive stops automatically.
The lower end position has been set.

Adjustment of the Variation C end position is complete.

Variation D: Freely adjustable top end position, Bottom end position to the stop

- Starting from a central position of the blind, press the **UP ▲** button with a programmed transmitter until the blind has reached the desired top end position.
The drive begins to travel, briefly stops and travels further (for as long as the **UP ▲** button remains pressed).
Corrections are possible using the **▲** and **▼** buttons.
- Press the **DOWN/CLOSED ▼** button until the drive stops automatically.
The upper end position has been set.
- Press the **DOWN/CLOSED ▼** button again until the blind has reached the desired end position (travels to the bottom stop).
The drive begins to travel, briefly stops and travels further (for as long as the **DOWN/CLOSED ▼** remains pressed).
The drive switches off automatically when the lower limit stop is reached.
Activating the lower release function (optional):
While pressing and holding the **DOWN/CLOSED ▼** button, press the **UP ▲** button (simultaneously) until the blind stops.
The lower release function is activated.
- Press the **UP ▲** button until the drive stops automatically.
The lower end position has been set.

Adjustment of the Variation D end position is complete.

Changing / Deleting the end positions

- Starting from a central position of the blind, press the **UP ▲** and **DOWN/CLOSED ▼** simultaneously with a programmed transmitter until the drive briefly travels up and down.
The adjusted end positions have been deleted.
The end positions may be readjusted.

Technical data and dimensions

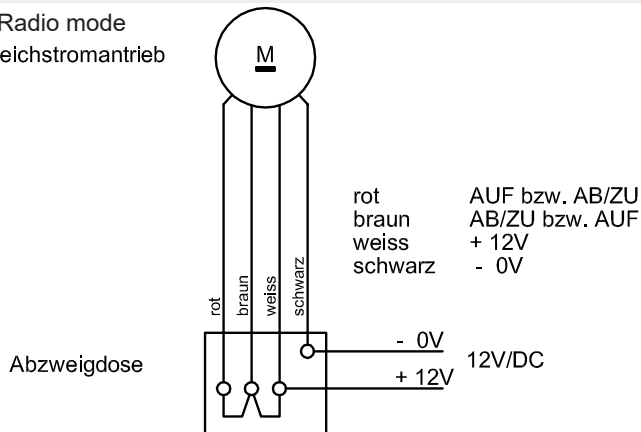
The technical data specified are subject to tolerance factors (according to applicable standards).

Size / Type	SunTop L40 -868 DC
Rated voltage [V]	12 (DC)
Rated torque Nm	40
Rated speed (rpm)	12
Rated current [A]	10
Rated power consumption [W]	120
Shaft diameter	63
Protection class (IP)	44
Limit switch range (revolutions)	40
Operating time (min S2)	10
Length C [mm]	542
Length D [mm]	525
Length E [mm]	16
Weight [kg]	3.78
Ambient operating temperature [°C]	-20 ... 60
Conformity	CE
Protection class III	⚡
Plug-in connection cable [m]	3.0
Item number	365200001

Problem	Possible cause	Remedial action
Radio programming mode does not start	<ul style="list-style-type: none"> Faulty connection Timer frame already expired (5 min) Radio transmitter has no battery 	<ul style="list-style-type: none"> Check connection Briefly interrupt the power supply Check the radio transmitter (LED must be illuminated)
Radio transmitter not in programming mode	<ul style="list-style-type: none"> Button for UP or DOWN/CLOSED pressed too late. Note time frame (1 s) Transmitter is already programmed 	<ul style="list-style-type: none"> Restart radio programming mode Press the STOP button
Drive is not reacting to a double click on DOWN/CLOSED or a double click on DOWN on the radio transmitter	<ul style="list-style-type: none"> Timer frame after voltage break already expired (5 min) Transmitter is not programmed 	<ul style="list-style-type: none"> Briefly interrupt the power supply Program the transmitter
Drive is no longer responding	<ul style="list-style-type: none"> Energy unit is not charged 	<ul style="list-style-type: none"> Charge energy unit
Drive stops after short time	<ul style="list-style-type: none"> End position is not saved Stiff blind 	<ul style="list-style-type: none"> Set second end position Check the smooth running of the blind
Drive stops during travel	<ul style="list-style-type: none"> End positions are not set Drive is in setting mode 	<ul style="list-style-type: none"> Set end positions
Drive does not accept programmed end positions	<ul style="list-style-type: none"> Random travel Travel to end position / limit stop too short 	<ul style="list-style-type: none"> Delete end positions, re-program end positions Drive performs travel movements until STOP is pressed on a programmed transmitter

Circuit diagram

- Radio mode Gleichstromantrieb



EU Conformity



elero hereby declares that this product is in compliance with the essential requirements and other relevant provisions of European directives that are applicable in Europe. A declaration of conformity is available at the website www.elero.com/downloads. All illustrations are non-binding.

Manufacturer's address

elero GmbH
72660 Beuren
GERMANY
www.elero.de

Service

If malfunctions have occurred or the device has been damaged despite proper handling, contact your contractor or dealer.

