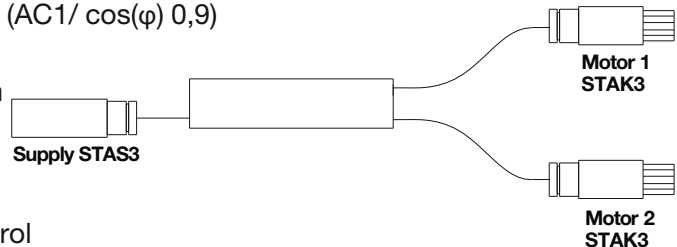


# Isolating relay pre-wired with STAK/STAS3 connectors VR2-A-230 o.L.-D (dimensions 130x 32x 19mm) IP54 version

## Technical data

Rated voltage	230 V-AC, 50 Hz
Control voltage	230 V-AC, 50 Hz
Breaking capacity	12.0 A / 6.0 A (AC1/ cos( $\varphi$ ) 0,9)
Current consumption	10 mA
Supply cable STAS3 with bracket 150 mm	
Down conductors STAK3 400 mm	



Isolating relay for two motors Central control

## Product and functional description

The VR2-A-230o.L. cut-off relay is a control relay for controlling blind and roller shutter motors with mechanical or electronic limit switches. The cut-off relay is used to prevent unauthorized parallel switching of blind or shutter motors in parallel. Two motors may be connected to one VR2-A-230 o.L.. If more than 2 motors are to be controlled, several isolating relays can be connected according to the circuit diagram.

## Central control

All connected motors can be operated simultaneously via the central control. Blind switches or blind push-buttons, roller blind actuators and various controls with potential-free contacts are suitable as switching devices and various controls with potential-free contacts. When selecting the central control unit, it is important to ensure that the sum of all motor currents must be switched via the contacts in the central control.

**Important:** Switching time between up and down command  $\geq 0,5$  sec. must be observed, otherwise the motor or the relay may be damaged (observe the technical data of the motors).

## Technical data

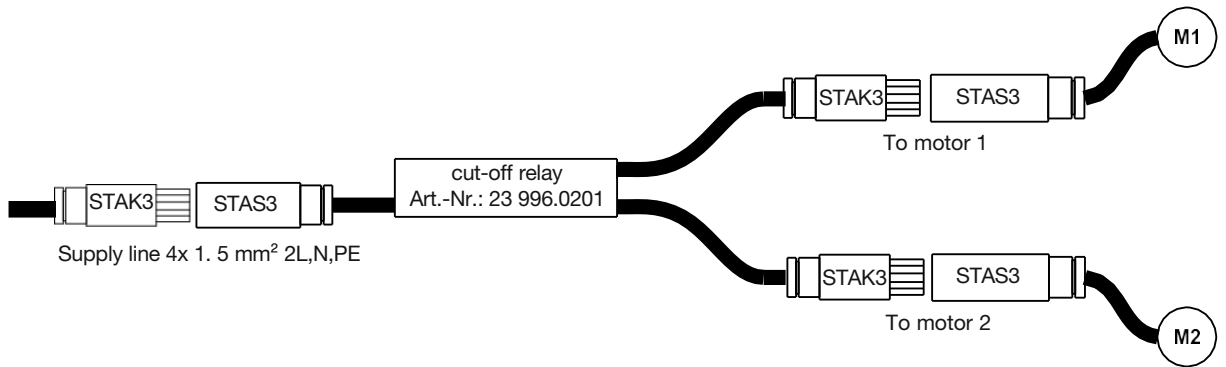
Power supply: 230 V-AC, 50Hz; fuse protection circuit breaker max. 13A characteristic C  
Outputs: Connection for one shutter or blind motor (Total 12 A AC1, individually max. 6 A cos( $\varphi$ ) 0,9)  
Temperature range -20° to 70°C, IP54  
Electrical safety: pollution degree (IEC 60664-1): 2, Protection class: IP 54  
Overvoltage (acc. to IEC 60664-1):3; CE marking: Low Voltage Directive

cable:

The supply cable is made of rubber cable A (H05RN-F 4G0,75) with a plug STAS3 (Hirschmann®).  
The outgoing cables to the two motors are made with a rubber cable A (H05RN-F 4G0,75) with couplings STAK3 (Hirschmann®).

## Attention

The unit must not be opened. When connecting, make sure that all poles of the isolating relay are disconnected. If different phases are permitted, it must be ensured that in the event of a fault or when working on the system, all poles are disconnected. All poles are disconnected in the event of a fault or when working on the system. The applicable safety and accident prevention regulations must be observed.



Pin assignment of supply line STAS3

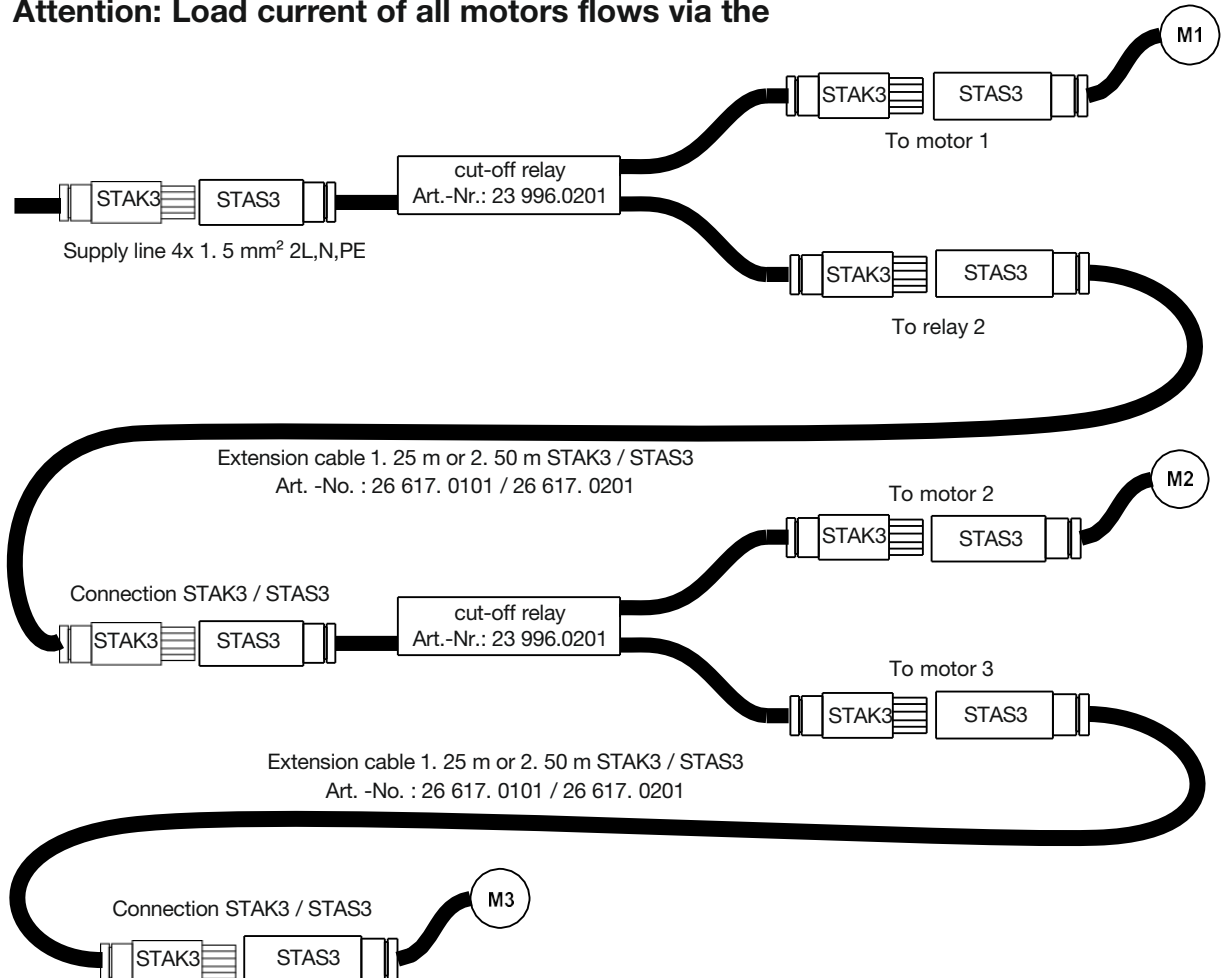
Pin 1 = N  
Pin 2 = Up  
Pin 3 = Down  
PE

Pin assignment of down conductors to motor STAK3

Pin 1 = N  
Pin 2 = Up  
Pin 3 = Down  
PE

### Connection example: Connection to a central

**Attention: Load current of all motors flows via the**



### Connection example: Connection of 3 drives to one central control unit

**Attention: Load current of all motors flows via the central control unit**