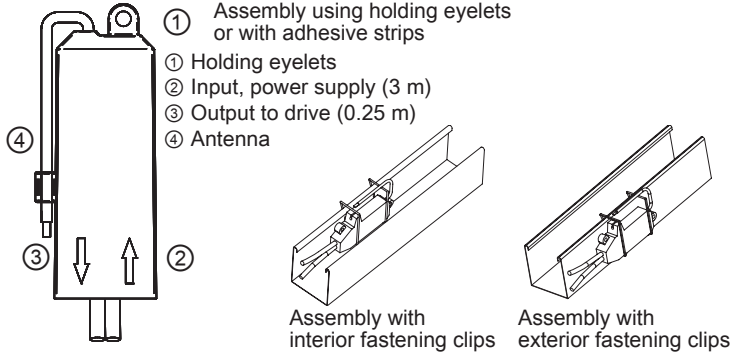


Function / application / special features

Application: Radio receiver, which can be converted into a radio drive with the **elero** Venetian blind drive direct current (DC).

- Device is used for controlling Venetian blind drives
- Installation inside or outside the installation channel with fastening clips (accessories) or double-sided adhesive strips
- Use for all unidirectional-enabled transmitters and sensors from the **elero** ProLine and ProLine 2 product range



Assembly and initial operation



1. Put the drive into operation using the DC **elero** assembly cable (sold separately) and adjust the top limit switch and the bottom limit switch.
2. Use the DC assembly cable to bring the blind to the centre position.
3. Unplug the DC assembly cable.
4. Connect the adapter for the QUICKON plug connector of the 0.25 m connecting cable with the drive plug.
5. Connect the Combio-868 JA DC 3-m connecting cable with a suitable direct current output.
It is essential that the polarity or terminal assignment is observed.
6. Attach the radio receiver according to the illustration above. Do not bend the antenna or put it directly on the installation channel.
7. Program the transmitter (see transmitter instructions).

Unidirectional radio system

The **elero** ProLine radio system is a unidirectional radio system. A unidirectional radio system transmits radio signals to radio receivers. However, unlike in a bidirectional radio system, the radio receiver cannot send messages back to the transmitter. It is also impossible to transmit radio signals from one radio receiver to another radio receiver using this system.

Device use

In order to achieve exact turning of slats with the Venetian blinds, the Combio-868 JA DC has a jogging mode. The radio receiver changes over to maintained mode when the **ON** button or **DOWN/CLOSE** button on the transmitter is held down

- until the corresponding LED goes out (elero ProLine)
- until the corresponding LED flashes (elero ProLine 2)

Troubleshooting

No radio reception	Transmitter is not programmed	Program the transmitter
Bad radio reception	Unfavourable position of receiver	Change position of receiver or aerial
Drive runs in the wrong direction	Directions are incorrectly programmed	Delete transmitter and program correctly
Drive does not run	<ul style="list-style-type: none"> • Insufficient power supply • Remove battery 	<ul style="list-style-type: none"> • Ensure power supply • Charge rechargeable battery

Electrical connection



All electrical work may only be carried out by authorised electricians according to the applicable rules and regulations of the trade association and the requirements laid out in DIN VDE 0100. Furthermore, the national legal regulations applicable in the respective country of use must be observed. Make electrical connection only when the power is turned off, to do so interrupt the power supply and ensure it cannot be switched on unintentionally. Make connection according to the following scheme while observing the following notes:

- Do not connect several drives in parallel.
- **NOTE:** Do not exchange the connections of the cable (change to the running direction of the blinds).
- Change the running direction of the blinds by programming the transmitter logically and correctly.

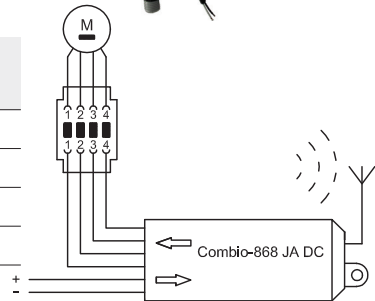
Terminal assignment power supply

White wire	+ (plus)
Black wire	- (minus)



QUICKON terminal assignment

Terminal 1: brown	▲ (up)
Terminal 2: white	+ (plus)
Terminal 3: blue	▼ (down)
Terminal 4: black	- (minus)



Technical data

Connecting cable for the drive [m]	0.25 with QUICKON plug connector (adapter)
Connecting cable to power supply [m]	3
Dimensions (L x W x H) [mm]	100 x 40 x 15
Installation space [mm]	100 x 44 x 19
Maximum number of transmitters	16
Nominal voltage [V]	12
Radio frequency [MHz]	868 band
Protection class (IP)	56
Weight [g]	270
Ambient operating temperature [°C]	-20 ... 60
Conformity	
Item No.	28 506 0005

EU Declaration of Conformity

elero hereby declares that radio receiver Combio-868 JA DC is in compliance with Directive 2014/53/EU. The complete text of the EU Declaration of Conformity is available at the following internet address www.elero.de/downloads-service/.

Manufacturer's address Service

elero GmbH
72660 Beuren
GERMANY
www.elero.de

If malfunctions have occurred or the device has been damaged despite proper handling, please contact your contractor or dealer.