

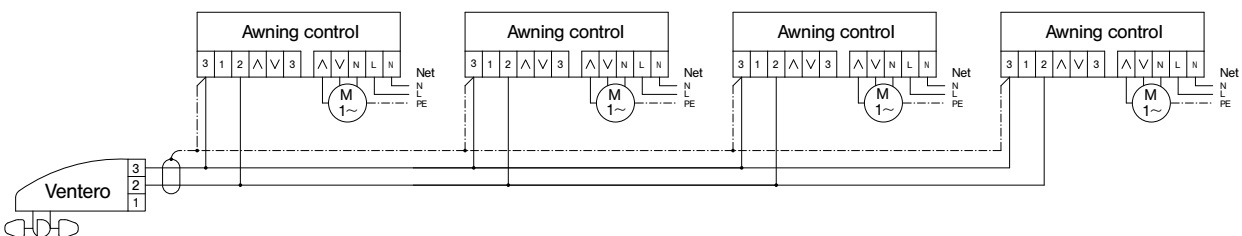
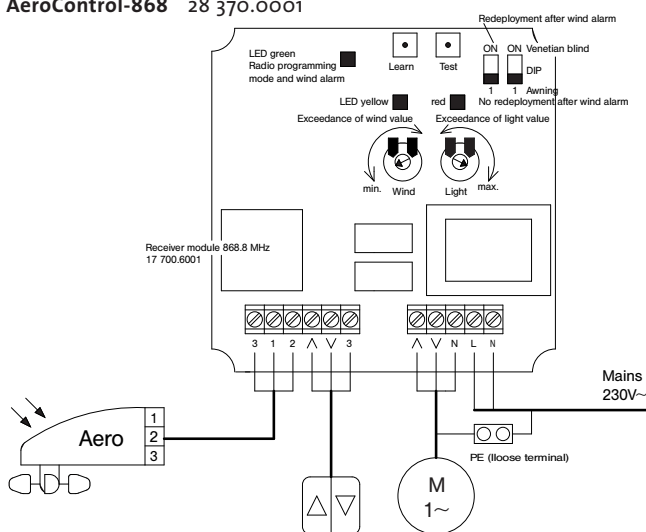
General:

The awning controller is a control unit for sun protection systems (awnings/venetian blinds). It controls the system connected according to light intensity and wind strength. The wind alarm and its signal have precedence over the light sensor. The AeroControl-868 controller contains a radio receiver module set at 868.3 MHz.

Hinweis: Beachten Sie die ESO-Vorschriften.

Connection diagram

AeroControl 28 370.0101
AeroControl-868 28 370.0001



Warning!



Important safety indications!

Observe the following instructions.

Danger of injury due to electric shocks. Connections to the 230 V mains supply **must** be carried out by authorized, specialized personnel.

- Check the installations regularly for wear and tear or damage.
- The regulations stipulated by the local power supply company should be observed during connection work, as well as the regulations for wet and damp areas in accordance with VDE 0100.
- Observe country-specific regulations.
- Only use unaltered **elero** original parts.
- Ensure that nobody is within the vicinity of the installation until it is brought to a standstill.
- When carrying out work on the installation (e.g. maintenance), always disconnect the installation from the mains supply.
- Keep children away from controls.
- After installation, the control unit must not be exposed to rain.

Connection options:

Aero, Ventero, Lumero,
 Mains lead,
 1 alternating current drive,
 Momentary contact switch

Operation via:

Momentary contact switch or
 hand-held transmitter
 (only for AeroControl-868)

Note: Connect the protective earth to the accompanying terminal block. You can connect a maximum of 4 AeroControls per wind sensor.

Commissioning/factory settings

Manual functions

Commissioning

1. Connect the required sensor system.
2. Switch on the mains voltage.
3. Check the direction of rotation.
(Up direction – awning must retract/venetian blind must move upward)


Only for AeroControl-868

4. Program the hand-held transmitter → see hand-held transmitter instructions.
You can program the receiver without interruption of power to the AeroControl-868.
For this purpose press the “Learn” button on the AeroControl-868 for **at least 4 seconds**.
5. Set the mode of operation via the dip switches (awning or venetian blind operation).
6. Set the required wind function via the dip switches (redeployment after wind alarm or no redeployment after wind alarm).
Redeployment after “Wind alarm” is always carried out to the limit position.

Sun/wind automatic system (factory settings)

Light controller 25 kLux Setting range 5-100 kLux
Wind monitoring 8m/sec. Setting range 2-22 m/sec.

You can set the light and wind values via rotary potentiometers. If the threshold value is reached the appropriate diode lights up.

If the  potentiometer is set to level zero (left-hand stop) the light controller is switched off.

Time delay for deployment when light value is exceeded → 3 minutes
Time delay for retraction when light falls below light value is → 15 minutes

Note: If the wind value is exceeded the system retracts immediately and remains blocked for 15 minutes.

Manual functions

Test function

In the test mode the time delays (for sun and wind) are shortened from minutes to seconds. In this way you can test the deploy-retract-stop functions more quickly.

Press the **TEST** button on the AeroControl/AeroControl-868 for at least 5 seconds.

You can now test the various functions.

In order to exit from the test mode once again, drive the sun protection fittings to the upper end position (awning) or the upper stop (venetian blind).

Approach intermediate position

Press the **DOWN** button briefly **twice** successively.
The drive travels to the stored intermediate position.

Drive to tilting position/fabric tensioning

Press the **UP** button briefly **twice** successively.
The drive travels to the stored tilting position/fabric tensioning.

Drive to end positions/stop

Press the **UP**, **DOWN** or **STOP** button (only for hand-held transmitters).

Automatic system functions:

If the automatic system function is active, all automatic drive and radio commands are executed.

Programming

With the cover open the following functions can be configured i.e. programmed:


Program transmitter (only for AeroControl-868)

Press the **LEARN** button on the AeroControl-868 for **at least 4 seconds**.

The AeroControl-868 is now in ready-to-learn mode.

You can now program a hand-held transmitter.
(→ see transmitter instructions)

Set wind strength

You can set the wind value via the  potentiometer. The potentiometer has a number of levels.


Set the required level with a small screwdriver.

The LED indicates an exceedance of the wind value.

The awning retracts/the venetian blind moves upward.

Note: If no light sensor is connected, the “redeployment after wind alarm” dip switch must be switched on.

Set light intensity

You can set the light value via the  potentiometer.

The potentiometer has a number of levels.

Set the required level with a small screwdriver.

The LED indicates an exceedance of the light value.

The awning deploys/the venetian blind moves downward.

If the potentiometer is set to 0, the light function is switched off.

The awning does not execute any deployment movement.

Note: With the elero hand-held transmitter LumeroTel, you can deactivate the sun protection function of the AeroControl-868.

Program intermediate position (for AeroControl)

You can program to intermediate positions (intermediate position and tilting position/fabric tensioning). This programming takes place via an external momentary contact switch.

1. Press the **UP/DOWN** button on the momentary contact switch and keep depressed until you reach the required position.
2. **In addition** press the button for the opposite direction (**UP** or **DOWN** button).
3. Release both buttons.
The momentary contact switch has been programmed.

Program intermediate position (for AeroControl-868)

You can program to intermediate positions (intermediate position and tilting position/fabric tensioning).

This programming takes place via the radio transmitter.

For programming of the hand-held transmitter → see transmitter instructions.

Technical data

Operating voltage	230 V / 50/ 60 Hz
Protection class	IP 55
Permitted ambient temperature	-25°C – +55°C
Radio frequency for AeroControl-868	868.3 MHz
Dimensions in mm	L 108 x W 108 x H 58
Max. Anzahl an Sendern	16